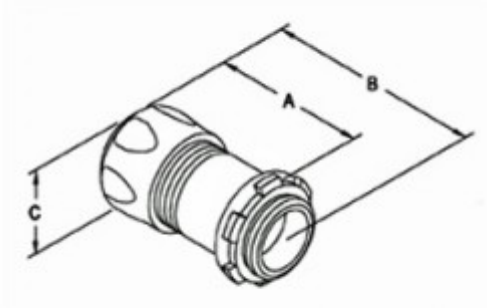


Raintight Connector, Compression, Steel, Size 1-1/2"

Used to join EMT to box or enclosure. Concrete tight/Raintight

[Download Photo](#)[Download Drawing](#)

Product details

Catalog Number:	254-SRT
UPC Number:	781747202543
Primary Materials:	Steel
Finish:	Zinc electro-plate
Trade Size:	1-1/2"
Standard Package Quantity:	25

Dimensions

Trade Size:	1-1/2"
Dimensions A:	2-11/32
Dimensions B:	2-15/16
Dimensions C:	2-5/32

Certifications & Codes

Federal Specification Number: A-A-50553

UL File Number: E24001

UNSPSC: 39121434

Nema Standard: FB-1

UL Standard: UL-514B